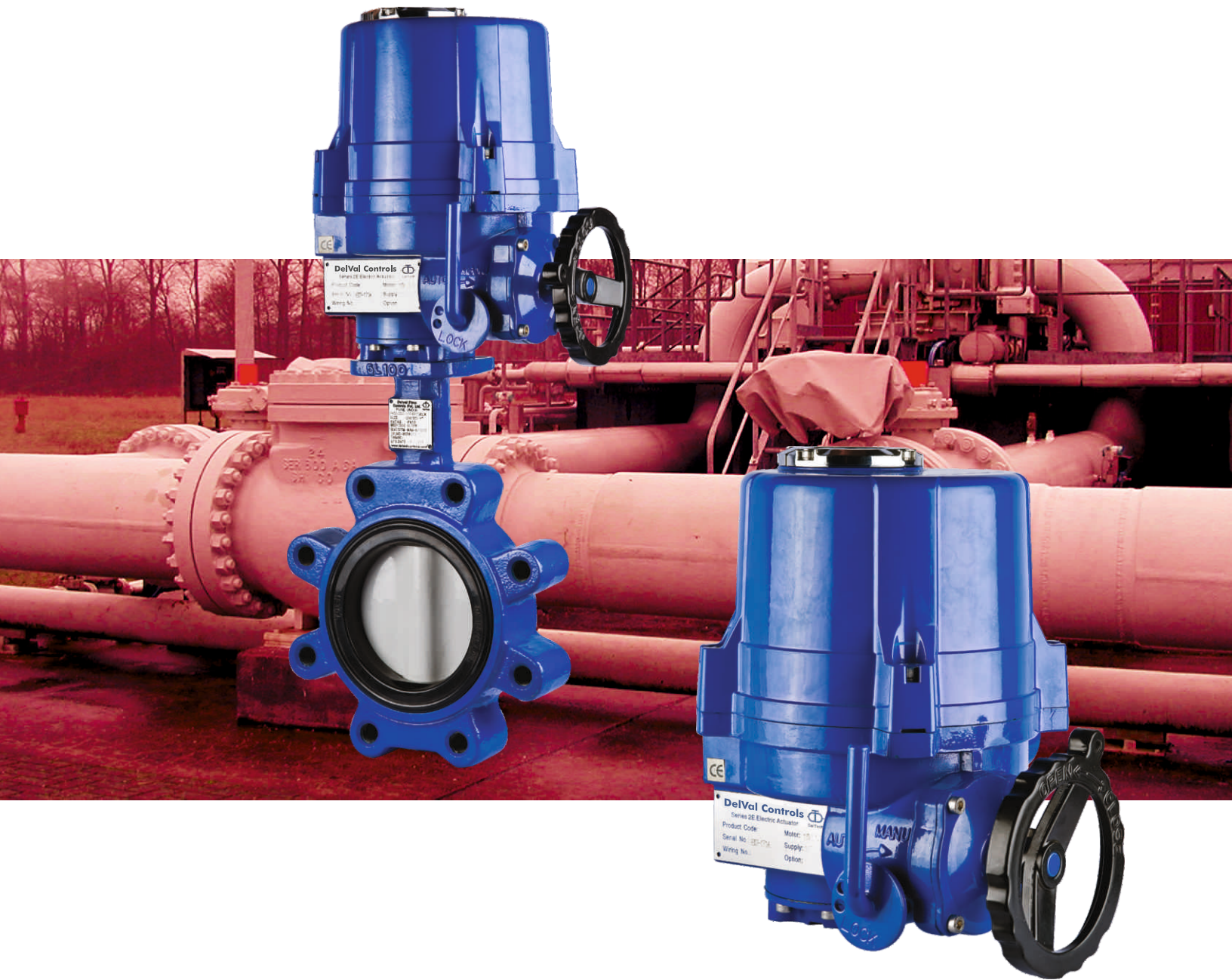


# DelTorq<sup>®</sup> SERIES 2E

Quarter Turn Electric Actuators

885 In-Lbs to 26,550 In-Lbs Torque



*Leading the Industry with Innovation by Design*

The DelTorq® Series 2E Electric Actuator is a heavy duty, lightweight actuator providing reliable and high performance duty on quarter turn applications. Actuators are designed for direct mounting to all DelVal® valves through the use of a unique removable bushing. Mounting base is designed in accordance with ISO 5211 standards.

## Features

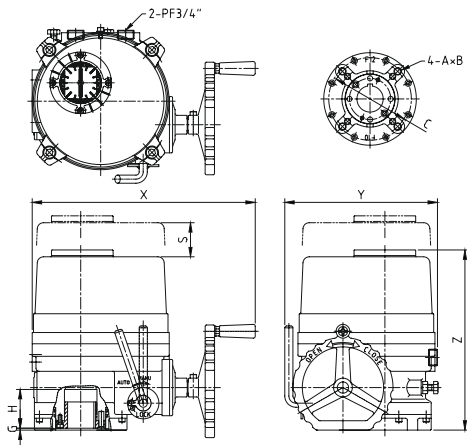
- ▶ **Housing**  
Hard anodized aluminum casting and external epoxy powder coating protects against severe industrial environment.
- ▶ **Gearing**  
Precisely machined double worm gear designed with minimum back-lash, low noise to yield high output torque.
- ▶ **Self Locking Gears**  
Provided by double worm gearing to keep position of valve unchanged against reverse torque from valve.
- ▶ **Sealing**  
Sealing is accomplished by single o-rings in all interfaces to meet IP 67 (standard) and double o-rings to meet IP 68 (optional).
- ▶ **Handwheel**  
Handwheels of different sizes depending on actuator torques is provided on all actuators to ensure easy operation.
- ▶ **Motor**  
Specially designed induction motor to generate high starting torque and high efficiency. Each motor is equipped with thermal protector to prevent damage from overheating. Insulation is class F.
- ▶ **Internal Components Arrangements**  
Internal mechanical and electrical components are designed in modular mounting arrangement and can be easily removed for maintenance purposes. Optional accessories are also available.
- ▶ **Limit Switches**  
A pair of limit switches are activated by means of simple, reliable and adjustable cam plates, mounted directly on and driven by center column. The unique cam plate design does not allow over travel of limit switches. Two auxiliary limit switches are standard.
- ▶ **Torque Switches**  
Electric actuators with 2,124 in-lbs and above are installed with torque switches for overload protection.
- ▶ **Heater**  
A space heater is provided inside all the Series 2E Electric Actuators for prevention of condensation due to weather and temperature changes, as well as to keep internal components clean and dry.
- ▶ **Manual Override**  
The manual override is engaged by pulling the lever and turning the handwheel. Lever declutches automatically when power supply is switched on. Handwheel does not turn as extra safety feature.
- ▶ **Visual Position Indicator**  
The visual position indicator is directly mounted on the center drive column to show the visual position of the valve.
- ▶ **Stop Adjustment**  
One each for open and close position (adjustable). Provides for +/- 5 degrees adjustment.
- ▶ **Mounting & Adaptation**  
Bottom flange mounting dimensions conform to ISO 5211. An adaptor drive bushing is provided for every electric actuator to direct mount to all DelVal® Series.

## Technical Information

Model		2E 010	2E 021	2E 050	2E 080	2E 300*
Rated torque (Lbs-Inch)		885	2,124	4,425	7,080	26,550
Rated torque (Nm)		100	240	500	800	3000
Operating time (second)	50Hz	21	26	31	39	59
	60Hz	18	22	26	32	50
Actuator Bushing Connection Sizes (Inch)	Double D	0.75 x 0.51	0.87 x 0.63	1.18 x 0.87	-	-
	Round & Keyed	-	-	1.38 / 0.39x0.39	1.38 / 0.39x0.39	1.97 / 0.39x0.47
Actuator Bushing Connection Sizes (mm)	Double D	19 x 13	22 x 16	30 x 22	-	-
	Round & Keyed	-	-	35 / 10x10	35 / 10x10	50 / 10 x 12
Rated current (A)	1Phase / 110V / 50HZ	0.98	1.62	3.6	3.9	-
	1Phase / 110V / 60HZ	1.1	1.72	3.9	4.2	-
	1Phase / 220V / 50HZ	0.52	0.87	1.5	2.05	3.75
	1Phase / 220V / 60HZ	0.58	0.9	1.6	2.2	3.85
	3Phase / 380V / 50HZ	0.43	0.32	0.52	0.82	1.6
	3Phase / 380V / 60HZ	0.33	0.32	0.56	0.88	2
	3Phase / 440V / 50HZ	0.59	0.32	0.55	0.82	2.5
	3Phase / 440V / 60HZ	0.42	0.35	0.58	0.88	2.4
	24 VDC	2.8	5	N/A	N/A	N/A
Motor insulation class		F	F	F	F	F
ISO 5211 mounting flange		F07	F07/F10	F10/F12	F12/F14	F16
Weight (Lbs)		15	33	44	55	93
Weight (Kgs)		7	15	20	25	42
No. of handwheel turns		10	12	14	17	13

\* Contact Factory for Delivery

## Basic Actuator Dimensions (inch)



Type	2E 010	2E 021	2E 050	2E 080	2E 300
Flange	F07	F07	F10	F12	F16
ISO5211		F10	F12	F14	
C (Ø)	2.756	2.756	4.016	4.921	6.496
		4.016	4.921	5.512	
A	M8	M8/M10	M10/M12	M12/M16	M20
B	0.551	0.551 / 0.669	0.669 / 0.826	0.787 / 0.984	1.259
G	0.118	0.118	0.118	0.118	0.197
H	1.457	2.244	2.441	2.638	3.543
S	3.937	4.528	5.709	6.693	8.85
X	10.157	13.307	14.055	14.961	17.32
Y	6.772	9.016	9.606	11.299	14.76
Z	8.661	10.197	11.339	12.323	15.15

## Options Available

### Remote monitoring and control

PK	Potentiometer kit (output signal : 0~1 K Ohm) High resolution potentiometer and precisely machined gearing are directly engaged with drive shaft to feedback continuous position of valve
CT	Current transmitter (output signal : 4 - 20 mA) Zero / Span Adjustment Convertible DIP Switch (4 wire to 2 wire)
RPC/Signal Configuration	Remote position controller (by input and output signal) Input : 4-20 mA, 0-10 VDC, 2~10 VDC, 1~5 VDC, 0~5 VDC Output : 4-20 mA, 0-10 VDC, 2~10 VDC, 1~5 VDC, 0~5 VDC Auto-calibration Reverse operating direction

# Standard Specifications

- Enclosure** ▶ Weatherproof to IP67, NEMA 4, 4X and 6, o-ring sealed
- Main power supply** ▶ 110/220 VAC - 1Ph/50/60Hz  
▶ 380/440 VAC - 3Ph/50/60Hz
- Control power supply** ▶ 110/220 VAC - 1Ph/50/60Hz
- Duty cycle (on-off)** ▶ S2: 10Min~30Min / S4: 20~50%
- Packing** ▶ Graphite
- Drive pin** ▶ 17-4- PH SS ASTM A564 - type 630
- Duty cycle (modulating)** ▶ S4, 30~50%, 300~1200 start/hour
- Motor** ▶ Squirrel caged induction motor
- Torque switches** ▶ 1 each for open and close (SPDT 250VAC/10A rating)
- Stall protection / set temp.** ▶ Built in thermal protection
- Travel angle** ▶ 90° +/- 5°
- Position indicator** ▶ Continuous position indicator with arrow
- Manual override** ▶ De-clutchable
- Self locking** ▶ Provided by double worm gearing (no brake)
- Mechanical stop** ▶ 1 each for each travel end (open and close), external & adjustable
- Space heater (for anticondensation)** ▶ 5W (110/220 VAC)
- Conduit entries** ▶ (2) 3/4" NPT
- Lubrication** ▶ EP type grease
- Ambient temperature** ▶ Basic actuator : -4°F to 158°F  
c/w control options : 14°F to 140°F
- Ambient humidity** ▶ 90%RH max (non-condensing)
- Anti vibration** ▶ XYZ 10g, 02~34Hz, 30 minutes
- External coating** ▶ Polyester powder coated

## How to Order

Series	Size	Motor and Power Supply			Actuator Enclosure	Actuator Bushings	Special Options
Series	Size	No of Phases	Volts	Hz	Insert Size	Insert Size	Special Options
2E = Quarter Turn Electric Actuator	010 = 885 In-Lbs	0=For DC option	1 = 110 VAC	0=For DC option	W = Waterproof IP 67	Please see "Bushing Codes" below	00= No special requirements MC = Modulating Control Card
	021 = 2,124 In-Lbs	1 = 1 Phase	2 = 220 VAC	1 = 50 Hz	T = Watertight IP 68		
	050 = 4,425 In-Lbs	3 = 3 Phase	3 = 380 VAC	2 = 60 Hz	E = Explosion Proof		
	080 = 7,080 In-Lbs		4 = 440 VAC		Ex d IIT 5		
	300 = 26,550 In-Lbs		5 = 24 VDC				

DeVal / Bray Valves				
Bushing Code	Dimensions (in.)	Dimensions (mm)	Applicable Actuator Size	Matching Valve Size Series 50/52
XXX	no insert	no insert	no insert	---
01D	0.551 x 0.394	14 x 10	010	2", 2.5", 3"
02D	0.630 x 0.433	16 x 11	010	4"
03D	0.748 x 0.512	19 x 13	010	5", 6"
04D	0.866 x 0.630	22 x 16	021	8"
05D	1.181 x 0.866	30 x 22	050	10" & 12"
22R	1.38 dia. (round & keyed)	35	050, 080	14" & 16"
23R	1.97 dia. (round & keyed)	50	300	18" & 20"
24R	2.50 dia. (round & keyed)	64	300	24"

All statements, technical information and recommendations in the bulletin are for general use only. DeVal Flow Controls is not responsible for suitability or compatibility of these products in relation to system requirements. Consult DeVal Flow Controls distributors or factory for the specific requirements and material selection for your intended application. DeVal Flow Controls reserves the right to change or modify product design or product without prior notice. DeVal® - Registered trademark of DeVal Flow Controls.

Distributor



**DeVal Flow Controls USA**

6068 Highway 73  
Geismar, LA 70734  
USA

Phone: (225) 744-4326

Fax: (225) 744-4328

Email : sales@delvalflow.com

**DeVal Flow Controls India**

Office & Work : Gat. No. 25/1A,  
Kavathe, Post - Javale Tal. Khandala,  
Satara Dist., Pin - 412801,  
INDIA

Phone : +91-2169-241285

Fax : +91-2169-241288

Email : salesindia@delvalflow.com