

SERIES 44 - 49

High Performance Butterfly Valve

Wafer, Lug, Double Flanged



delvalflow.com

1-833-DELVAL1



STANDARD FEATURES

Quality & Performance

DelVal Flow Controls provides a wide range of quality products with the reliability you can count on. All Series 44 - 49 high performance butterfly valves are manufactured in ISO 9001 certified facilities with a robust quality management system and according to ASME B16.34 and API 609 standards.

Design Construction and Features

1. Top Flange

The top flange is drilled as per EN ISO 5211 to accommodate direct mounting of a wide range of actuators and manual operators.

2. Body

One-piece wafer, lug, or double flanged style body offers bidirectional sealing as standard, available in ASME CL150 and CL300 pressure classes.

3. Wedge Keys

Keys are offset from the center of the stem which places them in compression rather than shear, eliminating potential for failure. The keys are wedge type and precision fit to provide positive mechanical engagement of disc to stem.

4. Disc Stop

The disc stop is designed to prevent disc from rotating in the wrong direction and avoiding seat damage.

5. Seat Retainer

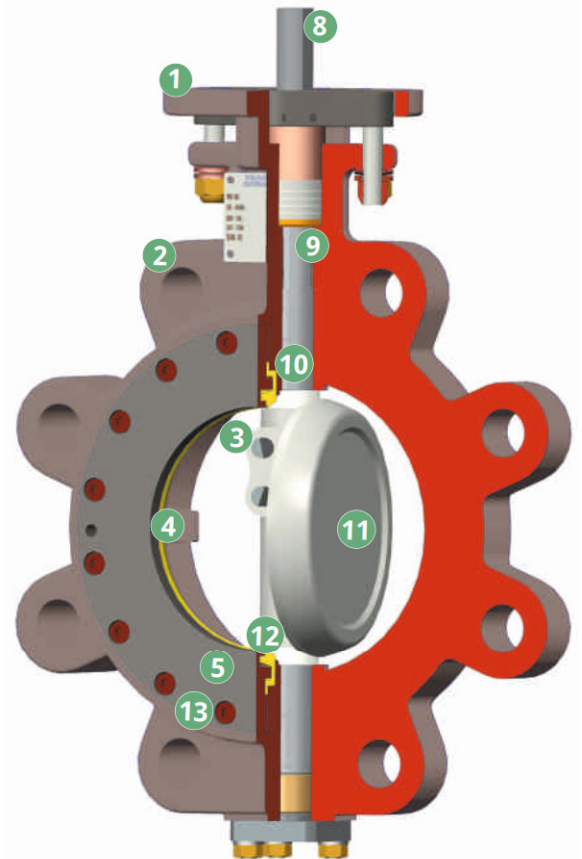
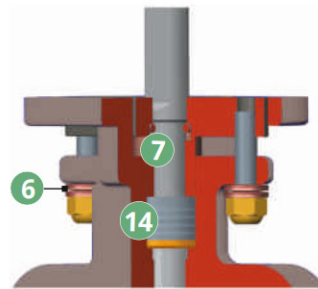
Retains seat in the body and is supplied in the equivalent material as the body.

6. Stem Seal

Gland flange assembly is "live loaded" with Belleville springs. This ensures continuous compression of packing and sealing contact at the stem and body. Rocker shaped gland bridge compensates for uneven adjustment of gland bolts.

7. Blow-out Proof Stem

Valves are equipped with a stem retainer at the top of the stem to prevent movement of the top portion of the stem past the compressing ring in case the shaft should break within the valve.



8. Stem

A sturdy, one-piece stem provides increased torsional strength for higher torque applications.

9. Extended Neck

Extended neck allows for DN 50 (2") of pipeline insulation and easy access to stem packing adjustment and actuator mounting.

10. Bearings

The drive and non-drive end stem "Bear-X" bearings are made out of an engineered, high compressive strength composite polymer material having excellent thermal, chemical and wear resistance.

11. Disc

The disc has been engineered to maximize flow and minimize resistance to provide a high flow coefficient (Cv).

12. Seat

Unique seat design utilizes a self-energizing, flexible lip seal concept which provides bi-directional sealing without relying on secondary components, avoiding thermal and chemical incompatibility of dissimilar materials.

13. Bi-Directional Dead End Service

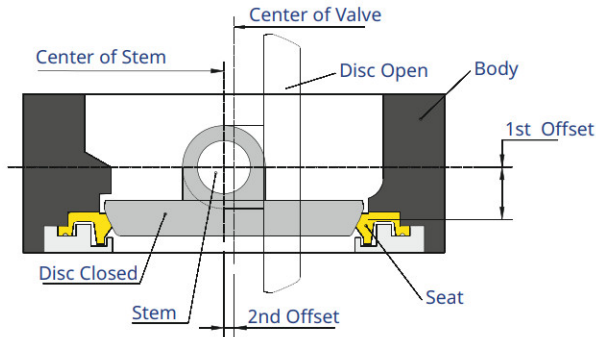
All lug and double flange valves are suitable for dead-end service to full ASME pressure rating, bi-directionally.

14. Adjustable Stem Packing

The stem packing system features an easy access to the adjusting hex head nuts without removal of the actuator.

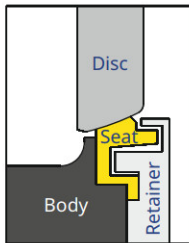
Design and Specifications

Double Offset Design



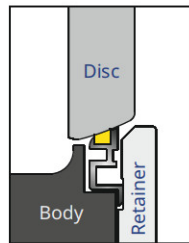
The double offset design produces a cam-like action in disc movement. This action reduces seat wear and eliminates seat deformation, thereby extending service life and reducing operating torques when compared to centric butterfly valves.

Seat Designs



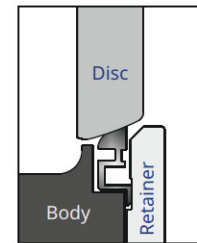
Soft Seat

Soft Seat: Self-energizing flexible lip seat design retains its original shape and maintains a seal against the disc regardless of the flow direction.



Fire Safe Seat

Fire Safe Seat: During and after fire, when the resilient material has been partially or completely destroyed, the backup metal seat ring provides two points of contact seals in either direction of media flow.



Metal Seat

Metal Seat: Flexible metal seat offers a very high sealing capability with low leakage rates. The mechanical properties and the shape of the metal seat allow it to flex and maintain constant positive sealing against the disc.

Special Applications

Vacuum

Standard soft seat and fire safe seat valves are rated for tight shut-off of vacuum to 1 mbar.

Oxygen

Valves for critical gaseous oxygen service are specially prepared, cleaned, inspected, assembled and tested to ensure removal of all burrs, sharp edges, dirt, hydrocarbon oil or grease and other contaminants.

NACE Service

Valves conforming to NACE MR0175 and MR0103 are available. These valves are well suited for oil and gas industry applications requiring resistant materials to sulfide stress cracking.

Steam

Valves are suitable for steam up to 14 bar for CL150 and up to 31 bar for CL300 (Consult DelVal for seat configuration).

Standards and Specifications

DelVal Double Offset High Performance Butterfly Valves are designed and manufactured to meet the requirements of the following industry standards:

Reference Design Standards: API 609, BS EN 593, MSS SP-68

Face to Face: API 609, ISO 5752, BS EN 558, MSS SP-68

Testing: API 598, ISO 5208, BS EN 12266, MSS SP-68

Pressure Temperature: ASME B16.34

Flange Accommodation: ASME B16.5, ASME B16.47, other international standards

NACE (optional): ANSI / NACE MR0175 / ISO 15156, ANSI / NACE MR0103 / ISO 17945

Fire Safe Certified (optional): API 607

Fugitive Emission (optional): ISO 15848

Pressure Equipment Compliance: PED 2014 / 68 / EU

Body Style: Wafer, Lug, Double Flanged

Pressure Rating: CL150 to CL300

Temp. Range*: -50°C to 260°C (Soft Seat / Fire Safe Seat)
-50°C to 427°C (Metal Seat)

Size Range:** DN 50 to DN 1500 (2" to 60")

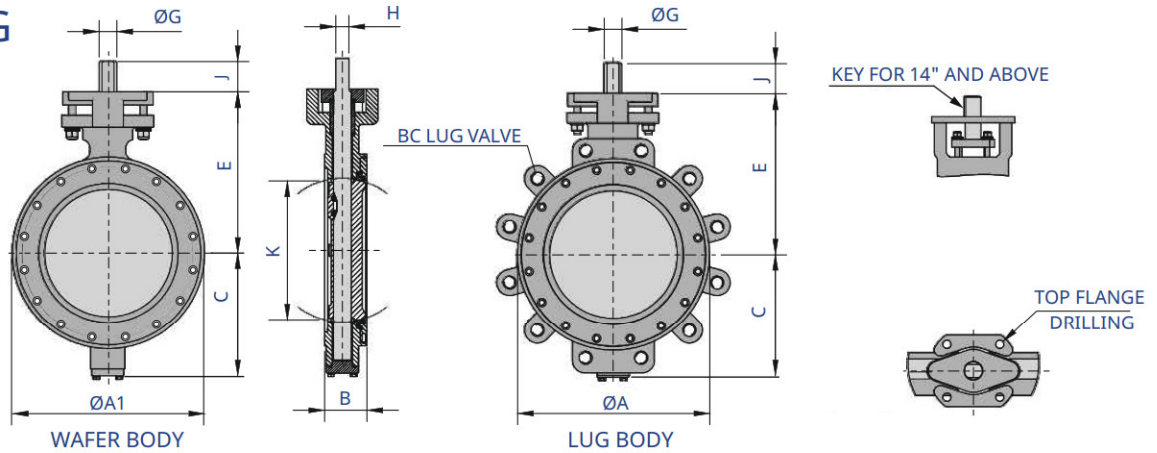
CL600 valves can be offered on request.

*Pressure-temperature rating shall be lesser of the shell rating or the seat rating.

**Consult DelVal for sizes not available in the catalogue.

DIMENSIONS AND WEIGHTS

WAFER & LUG



Dimensions (mm)

ASME CLASS 150 WAFER/LUG (SERIES 44/45)

Valve Size		Top Flanged Drilling										Lug Drilling D			App. Weight (kg)				
Inch	DN	ØA	ØA1	*B	C	E	BC	No. of Holes	Hole Dia.	ØG	H	J	Key Size	K	BC	No. of Tapping/Holes UNC/UN2B	Wafer	Lug	
2	50	97	97	43	68	125	70	4	10	14.0	10	32	-	39.80	120.7	4	5/8-11	3.3	4.3
2½	65	121	121	48	96	130	70	4	10	16.0	11	32	-	51.60	139.7	4	5/8-11	4.5	5.3
3	80	139	139	48	108	150	70	4	10	16.0	11	32	-	68.40	152.4	4	5/8-11	6.3	7.0
4	100	170	170	54	123	172	70	4	10	16.0	11	32	-	89.70	190.5	8	5/8-11	8.3	12.0
5	125	186	186	57	139	188	70/102	4	10/11	19.0	13	32	-	110.80	215.9	8	3/4-10	9.0	13.4
6	150	216	216	57	148	205	70/102	4	10/12	19.0	13	32	-	138.70	241.3	8	3/4-10	14.0	16.0
8	200	269	269	64	173	240	125	4	14	22.0	16	32	-	183.20	298.5	8	3/4-10	22.0	29.0
10	250	324	324	71	217	272	125	4	14	30.0	22	51	-	232.60	362.0	12	7/8-9	32.0	43.0
12	300	381	378	81	249	310	125	4	14	35.0	24	51	-	277.70	431.8	12	7/8-9	48.5	67.0
14	350	413	413	92	284	405	125/140	4	14/18	40.0	-	51	12.00 x 8.00	307.82	476.3	12	1-8	84.0	108.0
16	400	470	470	102	315	456	140/165	4	18/22	50.0	-	64	12.00 x 10.00	354.00	540.0	16	1-8	118.0	149.0
18	450	534	534	114	339	491	140/165	4	18/22	55.0	-	64	16.00 x 10.00	405.00	577.9	16	1 1/8-8	154.0	177.0
20	500	584	584	127	375	536	165	4	22	60.0	-	102	18.00 x 11.00	446.30	635.0	20	1 1/8-8	204.0	257.0
24	600	695	695	154	438	634	165/254	4/8	22/18	70.0	-	102	20.00 x 12.00	532.60	749.3	20	1 1/4-8	352.0	405.0
26	650	749	749	165	475	684	254	8	18	76.2	-	102	19.05 x 19.05	605.00	806.4	24	1 1/4-8	513.0	618.0
28	700	800	762	165	500	730	254/298	8	18/22	76.2	-	102	19.05 x 19.05	624.98	863.6	28	1 1/4-8	515.0	620.0
30	750	857	857	191	540	720	254/298	8	18/22	88.9	-	102	22.23 x 15.88	650.00	914.4	28	1 1/4-8	654.0	717.0
32	800	914	864	190	560	781	298	8	22	88.9	-	102	22.23 x 15.88	697.10	977.9	28	1 1/2-8	658.0	850.0
36	900	1022	965	203	650	860	298	8	22	101.6	-	134	25.4 x 19.05	787.50	1085.8	32	1 1/2-8	865.0	1198.0
40	1000	1124	1124	251	732	990	298	8	22	120.0	-	150	32.00 x 18.00	870.00	1200.2	36	1 1/2-8	1500.0	1950.0
42	1050	1194	1194	254	766	1019	356	8	33	120.0	-	150	32.00 x 18.00	920.00	1257.3	36	1 1/2-8	1850.0	2050.0
44	1100	1245	1245	254	775	1020	356	8	33	130.0	-	150	32.00 x 18.00	1040.00	1314.4	40	1 1/2-8	1999.0	2550.0
48	1200	1359	1359	276	810	1080	356	8	33	130.0	-	150	32.00 x 18.00	1118.00	1422.4	44	1 1/2-8	2250.0	2800.0

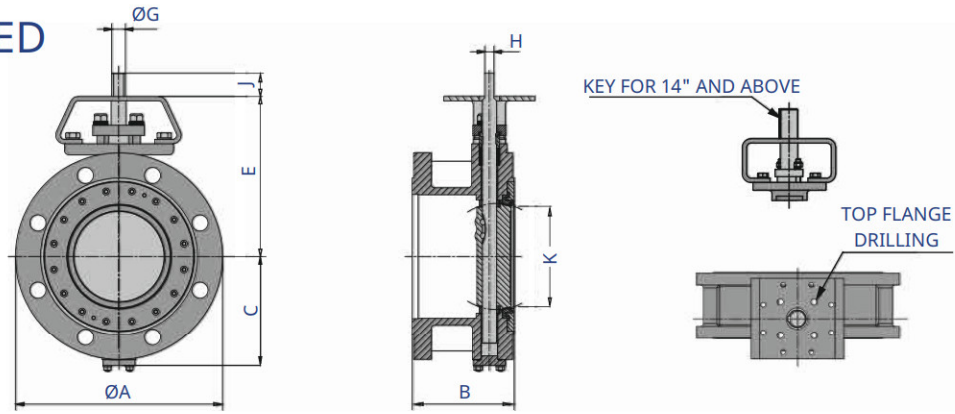
ASME CLASS 300 WAFER/LUG (SERIES 47/48)

2	50	102	102	43	86	133	70	4	10	14	10	32	-	37.80	127.0	8	5/8-11	3.5	5.0
2½	65	125	125	48	108	146	70	4	10	16	11	32	-	50.60	149.2	8	3/4-10	5.3	6.5
3	80	132	139	48	109	158	70	4	10	16	11	32	-	67.80	168.3	8	3/4-10	6.1	8.5
4	100	170	170	54	123	172	70	4	10	16	11	32	-	90.10	200.0	8	3/4-10	8.6	12.0
5	125	186	186	59	139	203	70/102	4	10/12	19	13	32	-	106.00	235.0	8	3/4-10	9.2	16.7
6	150	216	216	59	163	220	70/102	4	10/12	22	16	32	-	137.60	269.9	12	3/4-10	18.0	25.0
8	200	270	270	73	200	278	125	4	14	30	22	51	-	181.80	330.2	12	7/8-9	32.0	43.0
10	250	326	326	83	230	300	125	4	14	35	24	51	-	225.30	387.4	16	1-8	45.0	61.0
12	300	381	381	92	267	341	140/165	4	18/22	40	29	51	-	273.00	450.8	16	1 1/8-8	78.2	100.0
14	350	413	413	117	315	457	140/165	4	18/22	55	-	64	16 x 10	289.06	514.4	20	1 1/8-8	130.0	173.0
16	400	470	470	133	365	528	165	4	22	55	-	64	16 x 10	339.60	571.5	20	1 1/4-8	178.0	224.0
18	450	533	533	149	383	591	254	8	18	70	-	102	20 x 12	380.70	628.6	24	1 1/4-8	220.0	385.0
20	500	584	584	159	436	602	254/298	8	18/22	80	-	102	22 x 14	408.10	685.8	24	1 1/4-8	398.0	453.0
24	600	692	692	181	504	795	298	8	22	100	-	134	28 x 16	500.64	812.8	24	1 1/2-8	525.0	845.0

*Face to Face dimension 'B' conforms to API 609 Category B / BS EN 558 for sizes up to DN 600 (24"), CL150 and CL300. Please consult DelVal for other dimensions. DelVal reserves rights to change the contents without notice.

DIMENSIONS AND WEIGHTS

DOUBLE FLANGED



DOUBLE FLANGED BODY

Dimensions (mm)

ASME CLASS 150 DOUBLE FLANGE (SERIES 46)

Valve Size		ØA	*B	C	E	Top Flanged Drilling			ØG	H	J	Key Size	K	App. Weight (kg)
Inch	DN					BC	No. of Holes	Hole Dia.						
2	50	165	109	93	163	50/70	4	8/9	14.0	10	32	-	35.20	11.0
2½	65	178	112	101	162	70	4	9	16.0	11	32	-	35.08	12.0
3	80	202	114	118	190	70/102	4	9/11	16.0	11	32	-	54.70	15.5
4	100	230	127	139	220	70/102	4	9/11	16.0	11	32	-	79.67	21.5
5	125	255	140	139	220	70/102	4	9/11	19.0	13	32	-	95.71	30.0
6	150	285	140	151	220	70/102	4	9/11	19.0	13	32	-	130.04	33.0
8	200	345	152	183	277	102/125	4	11/13	22.0	-	32	6.00 x 6.00	179.09	53.0
10	250	405	165	217	304	102/125	4	11/13	30.0	22	51	8.00 x 7.00	224.48	73.0
12	300	485	178	265	380	125	4	13	35.0	-	51	10.00 x 8.00	270.22	106.0
14	350	535	190	284	405	125/140	4	14/18	40.0	-	51	12.00 x 8.00	296.19	170.0
16	400	595	216	315	484	140/165	4	18/22	50.0	-	64	12.00 x 10.00	346.34	198.0
18	450	635	222	339	491	140/165	4	18/22	55.0	-	64	16.00 x 10.00	397.01	280.0
20	500	700	229	390	577	165/254	4/8	22/18	60.0	-	102	18.00 x 11.00	439.62	349.0
24	600	815	267	438	634	254	8	18	70.0	-	102	20.00 x 12.00	523.02	482.0
26	650	870	292	475	684	254	8	18	76.2	-	102	19.05 x 19.05	605.00	528.0
28	700	925	292	500	730	254/298	8	18/22	76.2	-	102	19.05 x 19.05	612.93	621.0
30	750	985	318	540	745	254/298	8	18/22	88.9	-	102	22.23 x 15.88	645.21	865.0
32	800	1060	318	560	781	298	8	22	88.9	-	102	22.23 x 15.88	688.86	907.0
36	900	1170	330	650	860	298	8	22	101.6	-	134	1 25.4 x 19.06	775.19	1162.0
40	1000	1290	410	732	990	298	8	22	120.0	-	150	32.00 x 18.00	850.00	2430.0
42	1050	1345	410	766	1019	356	8	33	119.9	-	150	32.00 x 18.00	900.00	2874.0
44	1100	1405	470	775	1050	356	8	33	130.0	-	150	32.00 x 18.00	1040.00	3180.0
48	1200	1510	470	810	1110	356	8	33	130.0	-	150	32.00 x 18.00	1107.22	3499.0

ASME CLASS 300 DOUBLE FLANGE (SERIES 49)

3	80	210	114	109	175	70	4	10	16	11	32	-	56.32	20
4	100	255	127	123	190	70	4	10	16	11	32	-	79.71	25
5	125	280	140	139	200	70/102	4	10/12	19	13	32	-	84.71	56
6	150	320	140	173	245	70/102	4	10/12	22	-	32	6 x 6	129.91	58
8	200	380	152	207	305	125	4	14	30	-	51	8 x 7	176.91	89
10	250	445	165	240	351	125	4	14	35	-	51	10 x 8	221.20	129
12	300	520	178	277	400	140/165	4	18/22	40	-	51	12 x 8	267.62	161
14	350	585	190	318	457	165	4	22	55	-	64	16 x 10	278.67	189
16	400	650	216	365	528	165	4	22	55	-	64	16 x 10	321.87	333
18	450	710	222	400	591	254	8	18	70	-	102	20 x 12	357.35	330
20	500	775	229	436	602	254	8	18	80	-	102	22 x 14	388.38	535
24	600	915	267	504	795	298	8	22	100	-	134	28 x 16	476.11	862

*Face to Face dimension 'B' conforms to API 609 Category B up to DN 600 (24"), CL150 and CL300. Please consult DelVal for other dimensions.

DelVal reserves rights to change the contents without notice.

TORQUE DATA N-m

ASME CLASS 150

Soft Seat

Valve Size		Differential Pressure (ΔP)				
		PN 3.5	PN 7	PN 10	PN 16	PN 20
Inch	DN	Preferred Flow Direction				
2	50	24	26	27	28	29
2 1/2	65	27	28	29	31	32
3	80	16	20	23	25	28
4	100	25	30	33	36	48
5	125	59	65	70	78	83
6	150	62	72	78	87	94
8	200	148	162	175	199	214
10	250	175	190	220	260	290
12	300	207	234	270	322	410
14	350	389	482	579	735	836
16	400	496	618	744	936	1076
18	450	646	808	966	1224	1409
20	500	862	1087	1296	1663	1897
24	600	1305	1648	2008	2558	2958
26	650	1597	1950	2210	2610	3170
28	700	1755	2150	2490	2830	3360
30	750	2395	2912	3429	4256	4825
32	800	3099	3762	4529	5456	6325
36	900	3865	4762	5659	7094	8081
40	1000	6102	7601	9100	11499	13152
42	1050	6883	8272	9718	12280	14043
44	1100	7725	8960	10320	13040	14910
48	1200	9950	12450	14770	18806	21420

Note:

1.Flow from retainer side is the preferred flow direction.
Flow from stem side is non-preferred flow direction. Arrow on valve body indicates the preferred flow direction.

2.BTO-Break to Open; RTO-Run to Open; ETO-End to Open; BTC-Break to Close; RTC-Run to Close; ETC-End to Close.

3.Above mention tabulated torque values are BTO & ETC for preferred flow direction.

4.RTO, ETO, BTC & RTC = 40% of the above tabulated values for preferred direction.

5.For non-preferred flow direction torque values of soft seat,
2" to 6" - multiply preferred values by 1.24
8" - multiply preferred values by 1.120
10" to 12" - multiply preferred values by 1.20,
14" to 24" - multiply preferred values by 1.24,
26" to 48" - multiply preferred values by 1.30

6.For non-preferred flow direction torque values of fire safe seat & metal seat , multiply preferred values by 1.25

7.For actuator sizing, the minimum valve differential pressure shall be 50 psi.
For differential pressures above 50 psi the intermediated values to be interpolated.
For gear operator sizing, the full rated torque to be considered.

8.The published torque values are without factor of safety.
The following factor of safety shall be considered for operator sizing:
Clean service (liquid, steam, clean gas and non-abrasive) = 1.3
High solids slurry = 1.5
Dry gas = 1.7

DelVal reserves rights to change the contents without notice.

Fire Safe Seat

Valve Size		Differential Pressure (ΔP)				
		PN 3.5	PN 7	PN 10	PN 16	PN 20
Inch	DN	Preferred Flow Direction				
2	50	52	54	56	59	61
2 1/2	65	54	57	58	61	63
3	80	69	71	73	77	80
4	100	85	90	94	101	107
5	125	96	104	113	127	137
6	150	161	175	190	213	226
8	200	264	293	315	355	387
10	250	398	443	494	572	628
12	300	593	682	768	896	997
14	350	704	807	905	1080	1190
16	400	812	944	1094	1313	1475
18	450	1034	1289	1571	1980	2285
20	500	1463	1858	2239	2896	3316
24	600	2304	2724	3172	3886	4322
26	650	2619	3198	3624	4280	5199
28	700	2878	3526	4084	4641	5510
30	750	3928	4776	5624	6980	7913
32	800	5082	6170	7428	8948	10373
36	900	6339	7810	9281	11634	13253
40	1000	10007	12466	14924	18858	21569
42	1050	11288	13566	15938	20139	23031
44	1100	12669	14694	16925	21386	24452
48	1200	16318	20418	24223	30842	35129

Metal Seat

Valve Size		Differential Pressure (ΔP)				
		PN 3.5	PN 7	PN 10	PN 16	PN 20
Inch	DN	Preferred Flow Direction				
2	50	58	60	63	66	70
2.5	65	68	70	73	76	79
3	80	84	89	91	94	99
4	100	107	113	117	125	134
5	125	119	129	143	159	171
6	150	201	219	236	265	280
8	200	333	369	394	446	482
10	250	490	554	624	707	795
12	300	747	846	964	1118	1254
14	350	880	1021	1132	1347	1485
16	400	1015	1184	1365	1654	1839
18	450	1302	1637	1944	2506	2829
20	500	1814	2304	2789	3638	4149
24	600	2880	3432	3957	4876	5388

TORQUE DATA N-m

ASME CLASS 300

Soft Seat

Valve Size		Differential Pressure (ΔP)				
		PN 10	PN 20	PN 25	PN 40	PN 50
Inch	DN	Preferred Flow Direction				
2	50	27	29	32	40	42
2.5	65	29	32	34	42	47
3	80	34	40	44	54	60
4	100	49	68	74	95	108
5	125	88	111	123	161	186
6	150	120	154	175	234	275
8	200	228	300	341	459	545
10	250	338	461	530	731	876
12	300	473	639	726	1002	1189
14	350	724	1058	1258	1807	2194
16	400	879	1270	1492	2181	2645
18	450	1136	1652	1935	2786	3371
20	500	1501	2191	2605	3761	4589
24	600	2047	2979	3485	5101	6158

Note:

- Flow from retainer side is the preferred flow direction. Flow from stem side is non-preferred flow direction. Arrow on valve body indicates the preferred flow direction.
- BTO-Break to Open; RTO-Run to Open; ETO-End to Open; BTC-Break to Close; RTC-Run to Close; ETC-End to Close.
- Above mention tabulated torque values are BTO & ETC for preferred flow direction.
- RTO, ETO, BTC & RTC = 40% of the above tabulated values for preferred direction.
- For non-preferred flow direction torque values of soft seat, fire safe seat & metal seat, multiply preferred values by 1.25
- For actuator sizing, the minimum valve differential pressure shall be 10 bar. For differential pressures above 10 bar the intermediated values to be interpolated. For gear operator sizing, the full rated torque to be considered.
- The published torque values are without factor of safety. The following factor of safety shall be considered for operator sizing:
Clean service (liquid, steam, clean gas and non-abrasive) = 1.3
High solids slurry = 1.5
Dry gas = 1.7

DelVal reserves rights to change the contents without notice.

Fire Safe Seat

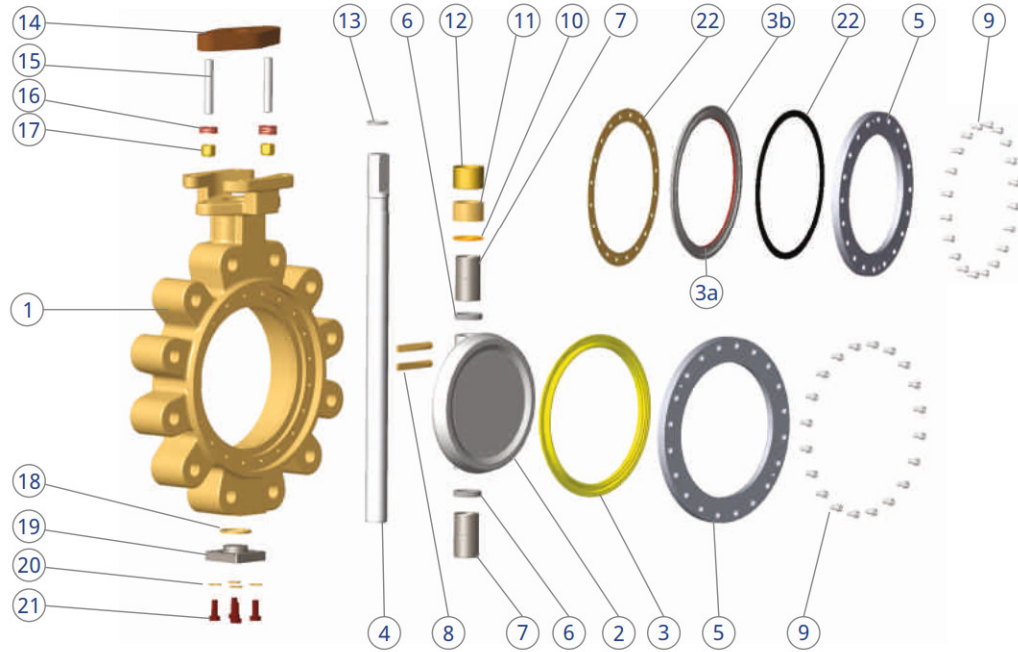
Valve Size		Differential Pressure (ΔP)				
		PN 10	PN 20	PN 25	PN 40	PN 50
Inch	DN	Preferred Flow Direction				
2	50	56	61	63	67	70
2.5	65	58	63	66	70	74
3	80	73	80	82	87	92
4	100	94	107	121	144	162
5	125	124	145	157	194	217
6	150	205	247	271	340	389
8	200	337	412	453	576	659
10	250	506	610	669	838	964
12	300	825	1078	1202	1616	1900
14	350	926	1207	1362	1827	2147
16	400	1123	1515	1730	2406	2870
18	450	1727	2552	3021	4385	5359
20	500	2405	3619	4247	6284	7580
24	600	3864	5705	6702	9708	11765

Metal Seat

Valve Size		Differential Pressure (ΔP)				
		PN 10	PN 20	PN 25	PN 40	PN 50
Inch	DN	Preferred Flow Direction				
2	50	63	70	75	79	83
2.5	65	73	79	83	89	91
3	80	91	99	102	108	115
4	100	117	134	150	179	202
5	125	156	180	196	241	269
6	150	255	309	340	426	488
8	200	422	511	573	721	818
10	250	627	760	828	1039	1200
12	300	1040	1334	1511	2012	2394
14	350	1146	1508	1703	2303	2686
16	400	1392	1890	2162	3009	3588
18	450	2159	3217	3745	5435	6648
20	500	3032	4511	5351	7893	9456
24	600	4812	7189	8384	12122	14712

STANDARD MATERIALS OF CONSTRUCTION

WAFER & LUG (2" to 12")



Part List

Item	Description	Standard Materials*	
		Carbon Steel	Stainless Steel
1	Body	ASTM A 216 WCB/WCC, ASTM A 352 LCC	ASTM A 351 CF8M/CF3M
2	Disc	ASTM A 351 CF8M/CF3M	ASTM A 351 CF8M/CF3M
3**	Seat (Soft)	PTFE#/ULTRA/RPTFE/UHMWPE	PTFE#/ULTRA/RPTFE/UHMWPE
3a**	Seat (Fire-Safe)	ASTM A 240 SS316 + ULTRA	ASTM A 240 SS316 + ULTRA
3b**	Seat (Metal)	ASTM A 240 SS316	ASTM A 240 SS316
4	Stem (Soft Seat)	ASTM A 322 4130 + ENP ASTM A 479 SS410 -cond. 3 ASTM A 564 Type 630 (17-4PH)	ASTM A 564 Type 630 (17-4PH) ASTM A 479 XM19 ASTM A 479 SS316 Strain Hardened Level 2
	Stem (Fire-Safe Seat)	ASTM A 479 SS410 -cond. 3 ASTM A 564 Type 630 (17-4PH)	ASTM A 564 Type 630 (17-4PH) ASTM A 479 XM19
	Stem (Metal Seat)	ASTM A 564 Type 630 (17-4PH)	ASTM A 564 Type 630 (17-4PH) ASTM A 479 XM19
5	Seat Retaining Ring	ASTM A 516 Gr. 70 Steel	ATM A 240 SS316/SS316L ASTM A 240 SS304
6	Disc Spacer	ASTM A 479 SS316/SS316L	ASTM A 479 SS316/SS316L
7**	Bearing (Soft Seat)	Bear-X	Bear-X
	Bearing (Fire-Safe Seat and Metal seat)	Fireproof DFP-D1	Fireproof DFP-D1
8**	Wedge Key	ASTM A 564 Type 630 (17-4PH)	ASTM A 564 Type 630 (17-4PH) ASTM A 479 XM19 ASTM A 479 SS316
9	Retainer Screw	ISO 3506 A4-70 ASTM A 1082 TYPE 630 (17-4PH) ASTM A 193 Gr. B8M	ISO 3506 A4-70 ASTM A 1082 TYPE 630 (17-4PH) ASTM A 193 Gr. B8M
10	Packing Spacer	ASTM A 479 SS316/SS316L	ASTM A 479 SS316/SS316L

Item	Description	Standard Materials*	
		Carbon Steel	Stainless Steel
11**	Gland Packing	PTFE (CHEVRON V- RING)/Graphite	PTFE (CHEVRON V- RING)/Graphite
12	Gland	ASTM A 479 SS316/ SS316L	ASTM A 479 SS316/ SS316L
13**	Stem Retainer	ASTM A 313 SS302	ASTM A 313 SS302
14	Gland Flange	ASTM A 516 Gr. 70 ASTM A105 ASTM A216 WCB Steel	ASTM A 240 SS316 ASTM A 351 CF8M ASTM A182 F316
15	Stud	ASTM A 193 Gr. B7 ASTM A 193 Gr. B7M ASTM A 193 Gr. B8M	ASTM A 193 Gr. B8M ASTM A 1082 TYPE 630 (17-4PH)
16**	Belleville Spring	ASTM A 666 SS 304	ASTM A 666 SS 316
17	Hex Nut	ASTM A 194 Gr. 8M ASTM A 194 Gr. 2H ASTM A 194 Gr. 2HM	ASTM A 194 Gr. 8M ASTM A 1082 TYPE 630 (17-4PH)
18**	Cover Gasket	PTFE/Graphite	PTFE/Graphite
19	Bottom Cover	ASTM A 516 Gr. 70 ASTM A 240 Ss304 Steel	ASTM A 240 SS316/ SS316L
20	Spring Washer	ASTM A 580 SS304	ASTM A 580 SS304
21	Hex Hd Screw	ISO 3506 A4-70 ASTM A 193 Gr. B7 ASTM A 193 Gr. B7M ASTM A 193 Gr. B8M	ISO 3506 A4-70 ASTM A 1082 TYPE 630 (17-4PH) ASTM A 193 Gr. B8M
22**	Seat Gasket (Fire-Safe Seat and Metal Seat)	Graphite	Graphite

*Other materials are available on request.

**Recommended spares.

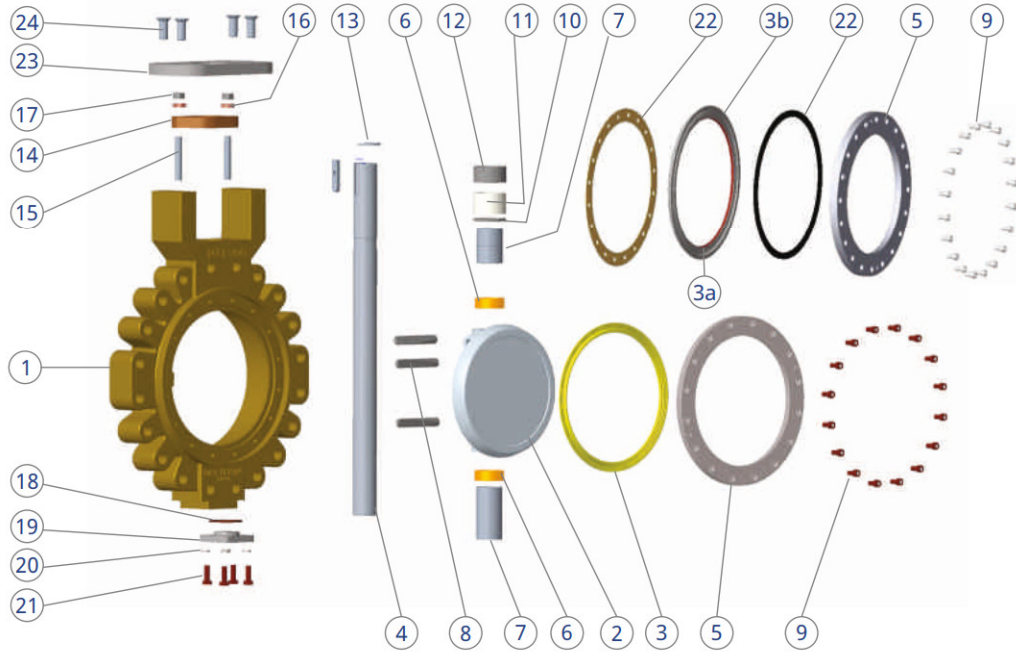
Gland Packing/Cover Gasket MOC is dependent on application service.

#CL 150 only.

Item 18,19, 20 & 21 are not applicable for 2"/DN50 CL150

STANDARD MATERIALS OF CONSTRUCTION

WAFER & LUG (14" to 48")



Part List

Item	Description	Standard Materials*	
		Carbon Steel	Stainless Steel
1	Body	ASTM A 216 WCB/WCC, ASTM A 352 LCC	ASTM A 351 CF8M/CF3M
2	Disc	ASTM A 351 CF8M/CF3M	ASTM A 351 CF8M/CF3M
3**	Seat (Soft)	PTFE#/ULTRA/RPTFE/UHMWPE	PTFE#/ULTRA/RPTFE/UHMWPE
3a**	Seat (Fire-Safe)	ASTM A 240 SS316 + ULTRA	ASTM A 240 SS316 + ULTRA
3b**	Seat (Metal)	ASTM A 240 SS316	ASTM A 240 SS316
4	Stem (Soft Seat)	ASTM A 322 4130 + ENP ASTM A 479 SS410 -cond. 3 ASTM A 564 Type 630 (17-4PH)	ASTM A 564 Type 630 (17-4PH) ASTM A 479 XM19 ASTM A 479 SS316 Strain Hardened Level 2
	Stem (Fire-Safe Seat)	ASTM A 479 SS410 -cond. 3 ASTM A 564 Type 630 (17-4PH)	ASTM A 564 Type 630 (17-4PH) ASTM A 479 XM19
	Stem (Metal Seat)	ASTM A 564 Type 630 (17-4PH)	ASTM A 564 Type 630 (17-4PH) ASTM A 479 XM19
5	Seat Retaining Ring	ASTM A 516 Gr. 70 Steel	ATM A 240 SS316/SS316L ASTM A 240 SS304
6	Disc Spacer	ASTM A 479 SS316/SS316L	ASTM A 479 SS316/SS316L
7**	Bearing (Soft Seat)	Bear-X	Bear-X
	Bearing (Fire-Safe) Seat and Metal seat)	Fireproof DFP-D1	Fireproof DFP-D1
8**	Wedge Key	ASTM A 564 Type 630 (17-4PH)	ASTM A 564 Type 630 (17-4PH) ASTM A 479 XM19 ASTM A 479 SS316
9	Retainer Screw	ISO 3506 A4-70 ASTM A 1082 TYPE 630 (17-4PH) ASTM A 193 Gr. B8M	ISO 3506 A4-70 ASTM A 1082 TYPE 630 (17-4PH) ASTM A 193 Gr. B8M
10	Packing Spacer	ASTM A 479 SS316/SS316L	ASTM A 479 SS316/SS316L

Item	Description	Standard Materials*	
		Carbon Steel	Stainless Steel
11**	Gland Packing	PTFE (CHEVRON V- RING)/Graphite	PTFE (CHEVRON V- RING)/Graphite
12	Gland	ASTM A 479 SS316/ SS316L	ASTM A 479 SS316/ SS316L
13**	Stem Retainer	ASTM A 313 SS302	ASTM A 313 SS302
14	Gland Flange	ASTM A 516 Gr. 70 ASTM A105 ASTM A216 WCB Steel	ASTM A 240 SS316 ASTM A 351 CF8M ASTM A182 F316
15	Stud	ASTM A 193 Gr. B7 ASTM A 193 Gr. B7M ASTM A 193 Gr. B8M	ASTM A 193 Gr. B8M ASTM A 1082 TYPE 630 (17-4PH)
16**	Belleville Spring	ASTM A 666 SS 304	ASTM A 666 SS 316
17	Hex Nut	ASTM A 194 Gr. 8M ASTM A 194 Gr. 2H ASTM A 194 Gr. 2HM	ASTM A 194 Gr. 8M ASTM A 1082 TYPE 630 (17-4PH)
18**	Cover Gasket	PTFE/Graphite	PTFE/Graphite
19	Bottom Cover	ASTM A 516 Gr. 70 ASTM A 240 SS304 Steel	ASTM A 240 SS316/ SS316L
20	Spring Washer	ASTM A 580 SS304	ASTM A 580 SS304
21	Hex Hd Screw	ISO 3506 A4-70 ASTM A 193 Gr. B7 ASTM A 193 Gr. B7M ASTM A 193 Gr. B8M	ISO 3506 A4-70 ASTM A 1082 TYPE 630 (17-4PH) ASTM A 193 Gr. B8M
22**	Seat Gasket (Fire- Safe Seat and Metal Seat)	Graphite	Graphite
23	Mounting Plate	ASTM A516 Gr. 70 ASTM A240 Ss304 Steel	ASTM A240 SS316/ SS316L
24	Counter Sunk Screw	ISO 3506 A4-70	ISO 3506 A4-70

*Other materials are available on request.

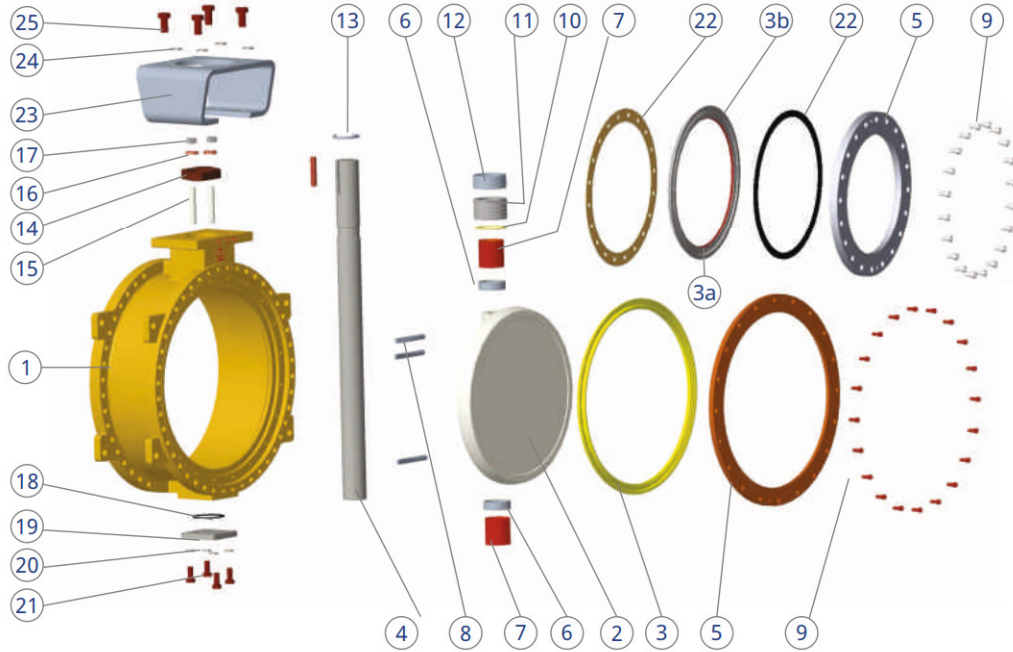
**Recommended spares.

Gland Packing/Cover Gasket MOC is dependent on application service.

#CL 150 only.

STANDARD MATERIALS OF CONSTRUCTION

DOUBLE FLANGED (2" to 48")



Part List

Item	Description	Standard Materials*	
		Carbon Steel	Stainless Steel
1	Body	ASTM A 216 WCB/WCC, ASTM A 352 LCC	ASTM A 351 CF8M/CF3M
2	Disc	ASTM A 351 CF8M/CF3M	ASTM A 351 CF8M/CF3M
3**	Seat (Soft)	PTFE#/ULTRA/RPTFE/UHMWPE	PTFE#/ULTRA/RPTFE/UHMWPE
3a**	Seat (Fire-Safe)	ASTM A 240 SS316 + ULTRA	ASTM A 240 SS316 + ULTRA
3b**	Seat (Metal)	ASTM A 240 SS316	ASTM A 240 SS316
4	Stem (Soft Seat)	ASTM A 322 4130 + ENP ASTM A 479 SS410 -cond. 3 ASTM A 564 Type 630 (17-4PH)	ASTM A 564 Type 630 (17-4PH) ASTM A 479 XM19 ASTM A 479 SS316 Strain Hardened Level 2
	Stem (Fire-Safe Seat)	ASTM A 479 SS410 -cond. 3 ASTM A 564 Type 630 (17-4PH)	ASTM A 564 Type 630 (17-4PH) ASTM A 479 XM19
	Stem (Metal Seat)	ASTM A 564 Type 630 (17-4PH)	ASTM A 564 Type 630 (17-4PH) ASTM A 479 XM19
5	Seat Retaining Ring	ASTM A 516 Gr. 70 Steel	ATM A 240 SS316/SS316L ASTM A 240 SS304
6	Disc Spacer	ASTM A 479 SS316/SS316L	ASTM A 479 SS316/SS316L
7**	Bearing (Soft Seat)	Bear-X	Bear-X
	Bearing (Fire-Safe Seat and Metal seat)	Fireproof DFP-D1	Fireproof DFP-D1
8**	Wedge Key	ASTM A 564 Type 630 (17-4PH)	ASTM A 564 Type 630 (17-4PH) ASTM A 479 XM19 ASTM A 479 SS316
9	Retainer Screw	ISO 3506 A4-70 ASTM A 1082 TYPE 630 (17-4PH) ASTM A 193 Gr. B8M	ISO 3506 A4-70 ASTM A 1082 TYPE 630 (17-4PH) ASTM A 193 Gr. B8M
10	Packing Spacer	ASTM A 479 SS316/SS316L	ASTM A 479 SS316/SS316L

Item	Description	Standard Materials*	
		Carbon Steel	Stainless Steel
11**	Gland Packing	PTFE (CHEVRON V- RING)/Graphite	PTFE (CHEVRON V- RING)/Graphite
12	Gland	ASTM A 479 SS316/ SS316L	ASTM A 479 SS316/ SS316L
13**	Stem Retainer	ASTM A 313 SS302	ASTM A 313 SS302
14	Gland Flange	ASTM A 516 Gr. 70 ASTM A105 ASTM A216 WCB Steel	ASTM A 240 SS316 ASTM A 351 CF8M ASTM A182 F316
15	Stud	ASTM A 193 Gr. B7 ASTM A 193 Gr. B7M ASTM A 193 Gr. B8M	ASTM A 193 Gr. B8M ASTM A 1082 TYPE 630 (17-4PH)
16**	Belleville Spring	ASTM A 666 SS 304	ASTM A 666 SS 316
17	Hex Nut	ASTM A 194 Gr. 8M ASTM A 194 Gr. 2H ASTM A 194 Gr. 2HM	ASTM A 194 Gr. 8M ASTM A 1082 TYPE 630 (17-4PH)
18**	Cover Gasket	PTFE/Graphite	PTFE/Graphite
19	Bottom Cover	ASTM A 516 Gr. 70 ASTM A 240 Ss304 Steel	ASTM A 240 SS316/ SS316L
20	Spring Washer	ASTM A 580 SS304	ASTM A 580 SS304
21	Hex Hd Screw	ISO 3506 A4-70 ASTM A 193 Gr. B7 ASTM A 193 Gr. B7M ASTM A 193 Gr. B8M	ISO 3506 A4-70 ASTM A 1082 TYPE 630 (17-4PH) ASTM A 193 Gr. B8M
22**	Seat Gasket (Fire-Safe Seat and Metal Seat)	Graphite	Graphite
23	Bracket	Steel ASTM A 240 SS304	ASTM A 240 SS316/ SS316L
24	Spring Washer	ASTM A 240 SS304	ASTM A 240 SS304
25	Hex Hd Screw	ISO 3506 A4-70	ISO 3506 A4-70

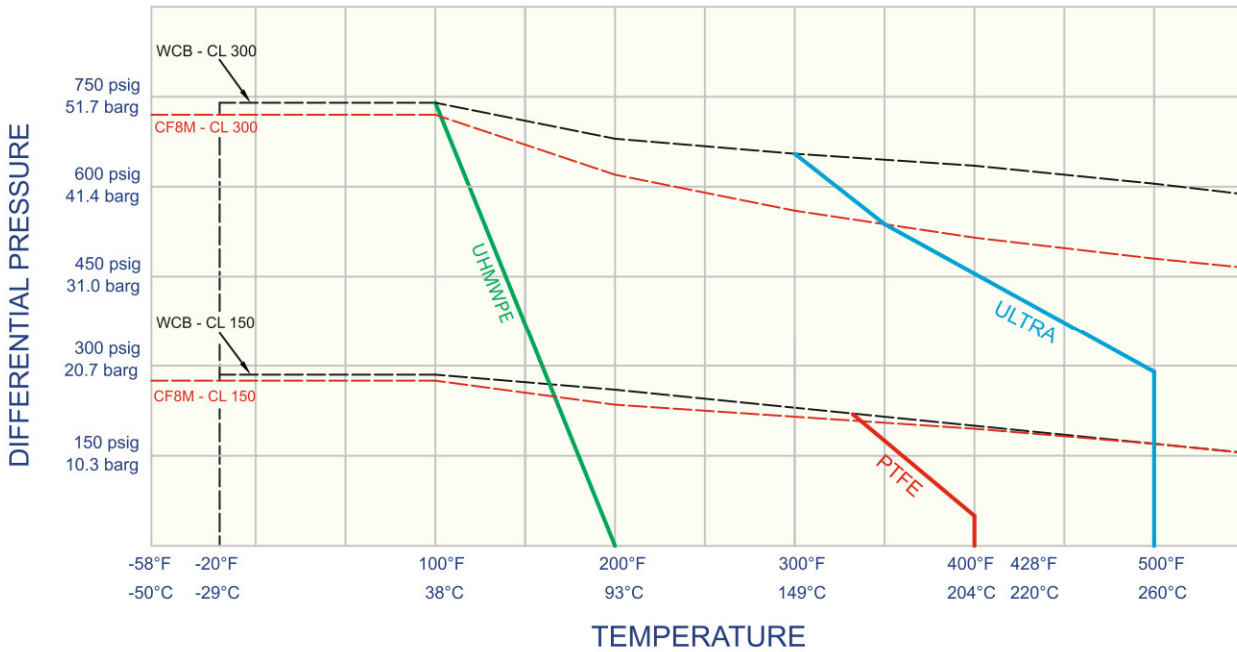
*Other materials are available on request.

**Recommended spares.

Gland Packing/Cover Gasket MOC is dependent on application service.

#CL 150 only.

Pressure Temperature Ratings



ULTRA Seat

An engineered fluorocarbon polymer that is rated for 260 °C at 19.65 barg. Excellent for handling aggressive fluids at high pressures, ULTRA is recommended for extended service in hostile environments involving chemical, thermal, and mechanical stress. ULTRA has excellent thermal stability and is ideal for steam, hot gases, and a variety of process chemicals where service can also be subject to pressure cycling.

Temperature Limits*

		Lower Limit	Upper Limit
		Deg C	Deg C
BODY	WCB	-29	425
	LCB	-46	345
	CF8	-196	538
	CF8M	-196	538
SEAT	PTFE	-50	204
	ULTRA	-50	260
	UHMWPE	-29	93

*Pressure-temperature rating shall be lesser of the shell rating or the seat rating.

Operator Information



All valves can be mounted with pneumatic actuators or electric actuators and accessories for complete on-off automation or modulating control. Valves can be also mounted with manual overrides.



Valves of all sizes can be direct mounted with gear operators for manual operation. Gear operators can also be attached with chain-wheel operators to open or close valves located on pipelines at high elevations.



Valves can be supplied with lever handles for manual operation. Optional accessories for hand-lever operation can be provided for various flow control requirements. Pad-lock can also be provided to prevent unauthorized operation.

100% TESTING 100% SERIALIZATION



CERTIFICATES



Manufacturing & Sales - International DelVal Flow Controls Pvt. Ltd.

Gat No: 25, Kavathe
Post-Javale, Tal. Khandala
Dist. Satara Pin-412801 | India
salesindia@delvalflow.com

Manufacturing & Sales - Americas DelVal Flow Controls USA

6068 Highway 73
Geismar, Louisiana 70734 | USA
T: +1 833-DELVAL1
F: +1 225-744-4328
sales@delvalflow.com

DelVal Arizona DelVal Flow Controls USA

1120 W Alameda Dr., Suite 3
Tempe, Arizona 85282 | USA
T: +1 623-215-7146
F: +1 623-215-7187
sales@delvalflow.com

International Projects DelVal Flow Controls USA

77 Sugar Creek Center Blvd.,
Suite 600
Sugar Land, Texas 77478 | USA
T: +1 833-DELVAL1
projects@delvalflow.com