

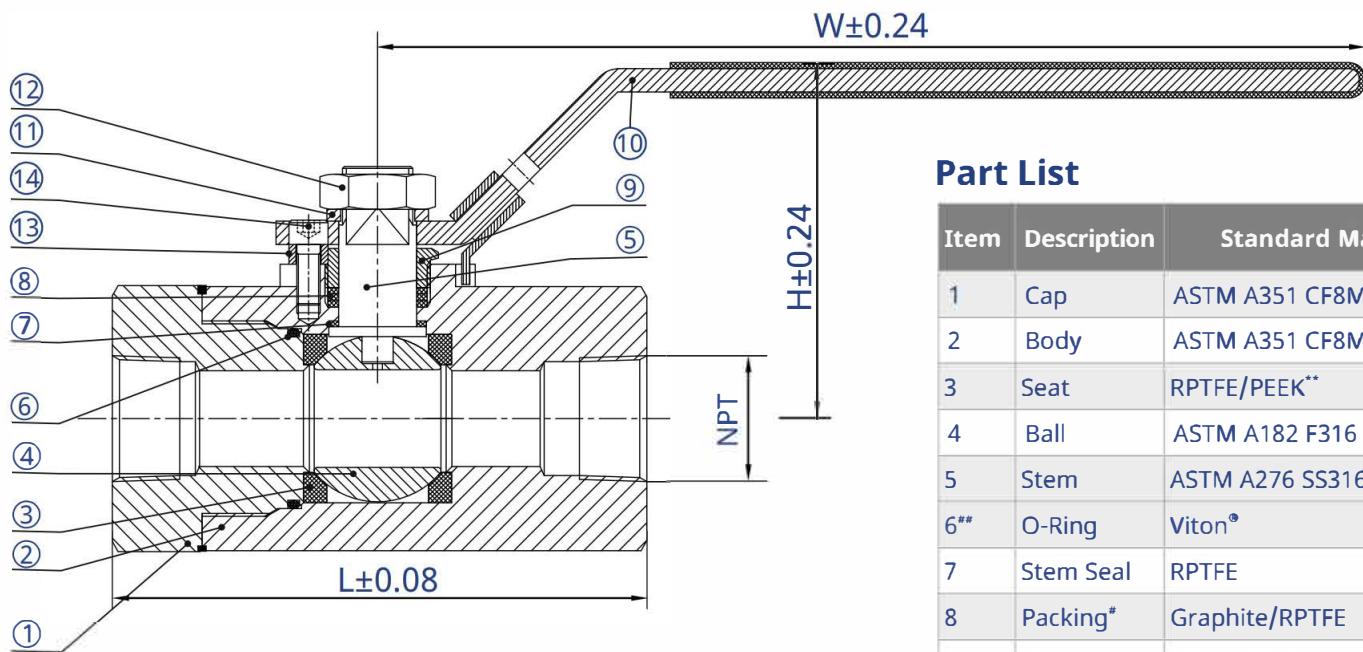
SERIES T

Threaded Ball Valves

STANDARD FEATURES

Design Construction and Features

- ◊ Seal Welded CF8M or WCB Body, Full Port, Screwed Ends, 316 SS Ball and Stem
- ◊ Blowout Proof Stem / Floating Ball
- ◊ Adjustable Packing
- ◊ Locking Lever Handle
- ◊ Class 900 (2000 psi WOG) / Class 1500 (3000 psi WOG) / Class 2500 (6000 psi WOG)
- ◊ 1/4" - 2" (8 mm - 50 mm)
- ◊ Fire Tested and Certified to API 607
- ◊ Conforms to NACE MR0175 / ISO 15156 Specifications
- ◊ Designed as per ASME B16.34 and tested as per API 598



Part List

Item	Description	Standard Material*
1	Cap	ASTM A351 CF8M/A216 WCB
2	Body	ASTM A351 CF8M/A216 WCB
3	Seat	RPTFE/PEEK**
4	Ball	ASTM A182 F316
5	Stem	ASTM A276 SS316
6**	O-Ring	Viton®
7	Stem Seal	RPTFE
8	Packing*	Graphite/RPTFE
9	Gland	ASTM A276 SS304
10	Handle	2000 PSI WOG - SS201 + PVC (1/4" to 2") 3000/6000 Psi WOG-SS201 + PVC (1/4" to 1-1/4") - CS+PVC (1-1/2" to 2")
11	Washer	SS301
12	Nut	ISO 3506 A2-70
13**	Washer	SS304
14**	Nut	ASTM A194 B8

Torque Data

Size(Inch)	Operating Torque in Lbf-inch		
	2000	3000	6000
1/4	35	133	159
1/2	62	159	177
3/4	97	239	283
1	133	310	354
1 1/4	150	442	-
1 1/2	168	442	752
2	221	796	796

Note: Breakaway torque is 2-3 times than operating torque

*Other material maybe available on request.

**PEEK available in 3000 psi & 6000 psi valves only.

#Default stock version is with Graphite packing.

##Available in 3000 psi & 6000 psi valves only.

DIMENSIONS



Dimensions (Inch)

Size	2000 PSI			3000 PSI			6000 PSI		
	L	H	W	L	H	W	L	H	W
¼	2.36	2.17	3.94	3.86	2.36	5.79	4.37	2.72	5.91
½	2.95	2.36	4.72	3.86	2.36	5.79	4.37	2.72	5.91
¾	3.19	2.36	6.10	4.25	2.80	7.28	4.37	3.39	7.48
1	3.58	2.95	6.10	5.39	3.46	7.48	5.39	3.74	9.84
1¼	4.33	3.15	6.10	5.39	3.70	8.98	-	-	-
1½	4.72	3.74	7.28	6.30	4.53	10.55	6.30	5.12	14.57
2	5.51	4.33	7.28	6.30	5.43	14.57	6.30	5.12	14.57

How to Order

Series	Size	Material of Construction				Rating	Actuation	Options
		Body	Ball	Stem	Seat			
T2=2000 psi	025=¼"	3=A216 WCB	4=316 SS	4=316 SS	R=RPTFE	9=2000 psi/Class 900	L=Handle	O=None
T3=3000 psi	050=½"	4=A351 CF8M			P=PEEK	T=3000 psi/Class 1500	B=Bare Stem	
T6=6000 psi	075=¾"					S=6000 psi/Class 2500		
	100=1"							
	125=1¼"							
	150=1½"							
	200 = 2"							

Manufacturing & Sales - International DelVal Flow Controls Pvt. Ltd.

Gat No: 25, Kavathe
Post-Javale, Tal. Khandala
Dist. Satara Pin-412801 | India
salesindia@delvalflow.com

Manufacturing & Sales - Americas DelVal Flow Controls USA

6068 Highway 73
Geismar, Louisiana 70734 | USA
T: +1 833-DELVAL1
F: +1 225-744-4328
sales@delvalflow.com

International Projects DelVal Flow Controls USA

77 Sugar Creek Center Blvd.,
Suite 600
Sugar Land, Texas 77478 | USA
T: +1 833-DELVAL1
projects@delvalflow.com